

RM10 Rectifier Magazine



Features

- 24V or 48V
- 19-inch mounting
- Compact 3U height, 500A output
- Configurable AC input, 1 \emptyset , 2 \emptyset or 3 \emptyset operation
- Independent AC input to each rectifier (optional)
- Compliance with international standards
- Compatible with Eaton's Energy Saver (ES) rectifier



The Eaton RM10 rectifier magazine is a versatile, compact 3U high, 19-inch rack mount module. It has an output capacity of up to 500A (actual output is dependent on the rectifiers fitted).

The RM10 is designed to accommodate either the 24V or 48V Access 3G or Energy Saver (ES) power rectifiers. It may be fitted with up to ten rectifiers or nine rectifiers and a system controller.

The front-to-back airflow allows multiple RM10 magazines to be stacked for high capacity solutions.

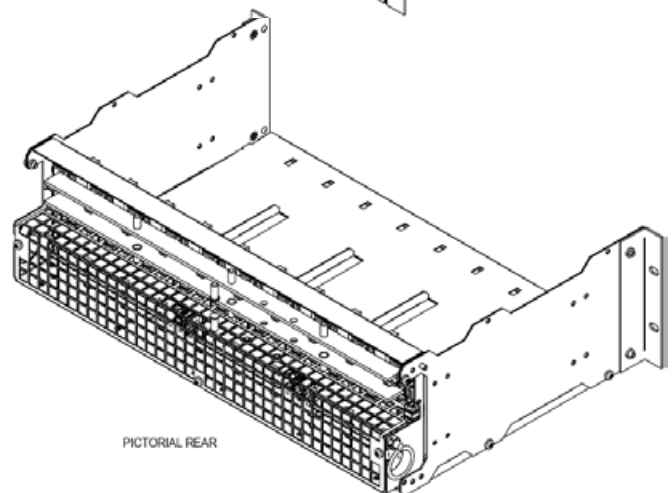
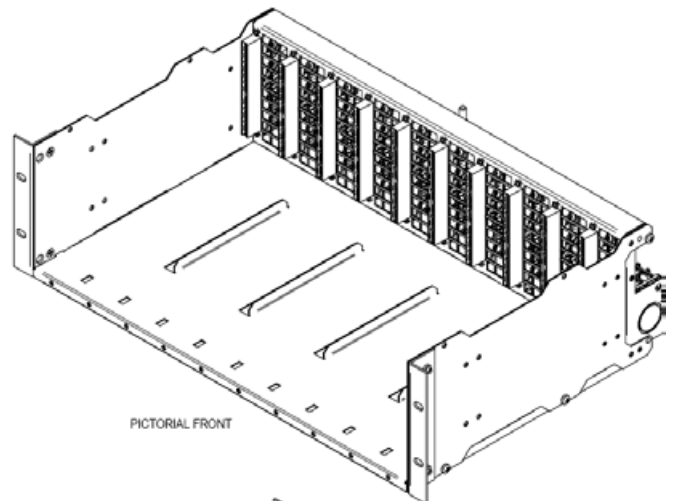
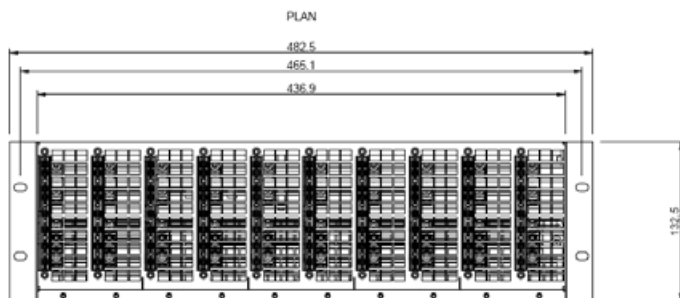
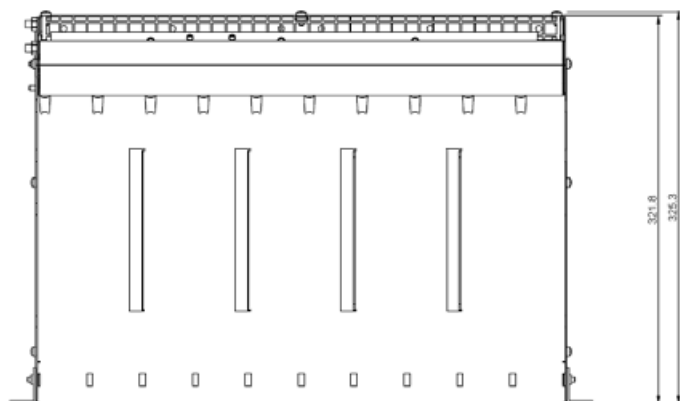
There is provision for an independent AC supply to each rectifier position (QC tabs), and AC cord sets are available on request. AC input to the magazine can be configured for 1 \emptyset , 2 \emptyset or 3 \emptyset operation.

On the output there are interconnecting busbars with flexible cable take-offs.

Technical Specifications

AC Supply	1Ø, 2Ø or 3Ø
DC Output	24V or 48V Up to 500A (dependent on rectifiers fitted) Interconnecting busbars with flexible cable take-offs.
Dimensions H,W,D	Standard: 3U, 19", 326mm [12.8"]* *Additional clear space is required for exhaust air.
Weight	5.5kg [12.1lb] excluding AC and DC cable sets.
Rectifier Configurations	10 x APR24-3G or APR48-3G or APR48-ES 9 x APR24-3G/APR48-3G/APR48-ES plus SC200 system controller
Options	Rectifier cover for unused rectifier positions. Independent AC supply to each rectifier position (QC tabs). AC cord sets. DC cable sets.
Versions	RM10-00 RM10-01 - UL recognised

In the interests of continual product improvement all specifications are subject to change without notice.



1300 662 435
poweronaustralia.com.au

Power On Australia Pty Ltd - ABN 48 110 752 442

Unit 20, 256-258 Musgrave Road, Coopers Plains Qld 4108 (Head Office)
Po Box 5322, Daisy Hill QLD 4127