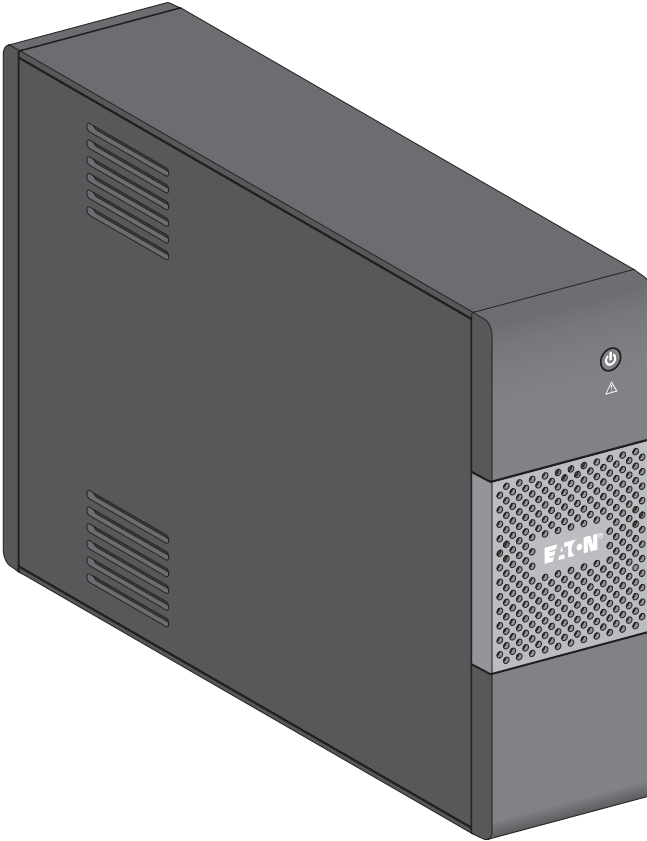


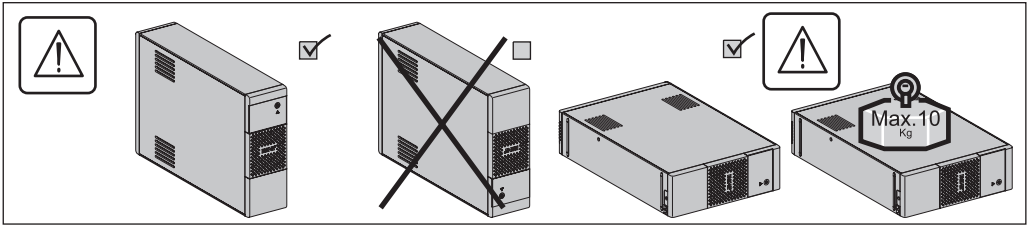
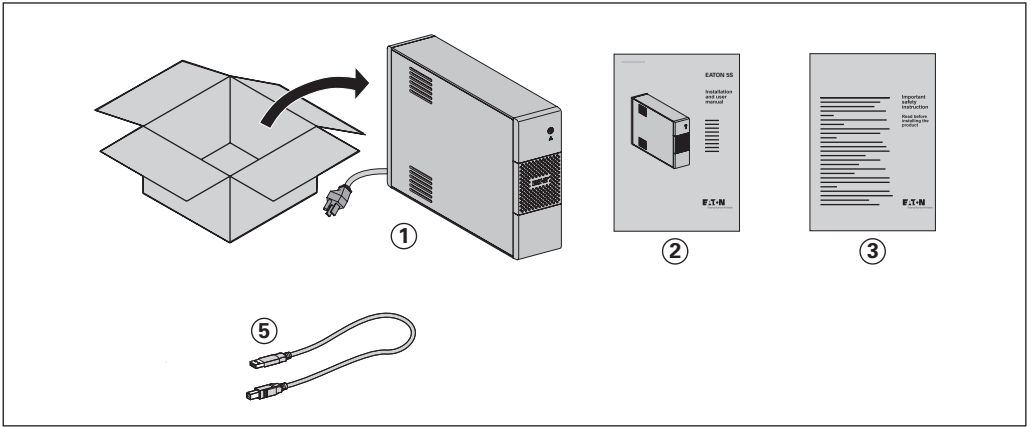
# EATON 5S

550/700

## Installation and user manual



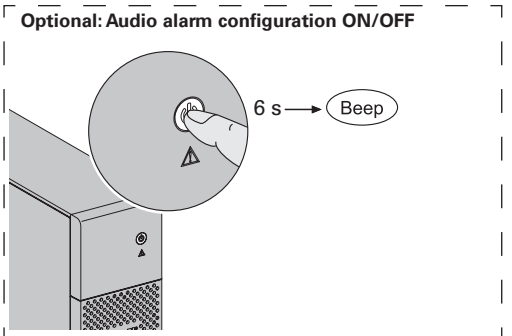
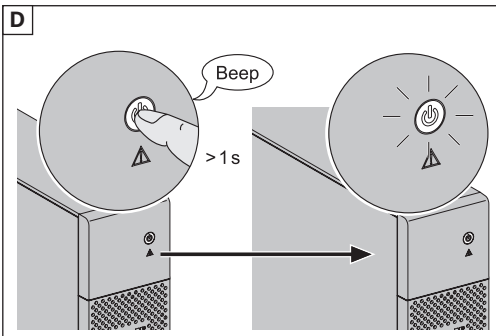
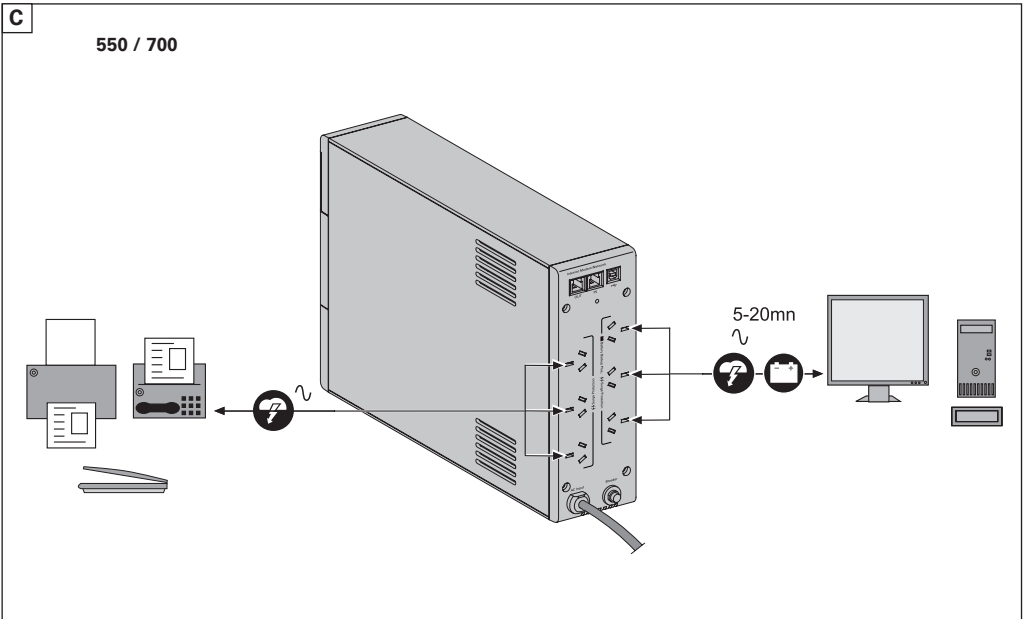
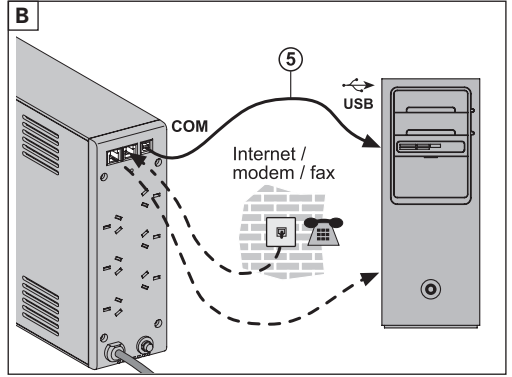
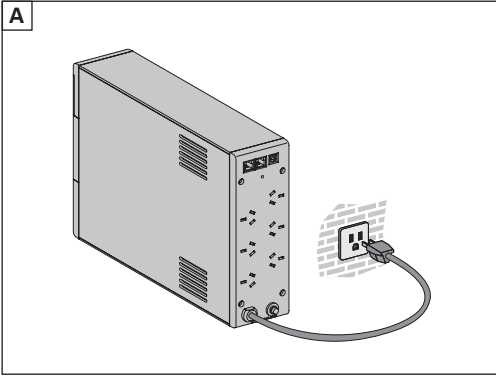
## Packaging



### Caution!

- Before installing the **Eaton 5S**, read the booklet ③ containing the safety instructions to be respected. Then follow the instructions given in this manual ②.

Quick start

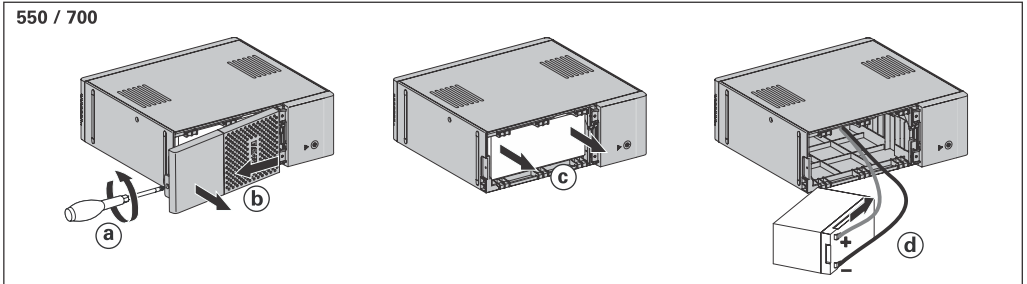


Register warranty at: [powerquality.eaton.com](http://powerquality.eaton.com)

## Battery disposal and safety

- **Caution.** Battery service life is reduced by 50 % for every ten degrees above 25 °C.
- The battery elements must be replaced exclusively by qualified personnel (risk of electrocution), with new elements approved by Eaton to ensure correct operation of the UPS.
- The battery must be disposed of in accordance with applicable regulations. To remove the battery elements, shut down the UPS (button 12 OFF), remove the power cord and proceed as indicated in page 4 "Battery change".

## Battery change



**Warning:** take care not to inverse the polarity + (red) and - (black) when connecting the batteries as this will destroy the device.

## Technical characteristics

Eaton 5S	550	700
UPS power	550 VA / 330 W	700 VA / 420 W
Nominal input voltage	185 V - 285 V, adjustable to 150 V - 285 V	
Input frequency	50/60 Hz (46 - 70 Hz working range)	
Voltage/frequency of battery backup outlets ⑨ in battery mode	240 V +15 % -20 % (50/60 Hz ± 1 %)	
Total output current for all outlets	10 A max	
Output current of battery backup outlets ⑨	2.5 A max	3.2 A max
Leakage current	0.4 mA	
Input protection	10 A resettable circuit breaker	
Transfer time	5 ms typical	
Telephone surge protection	Tel, ISDN, ADSL, Ethernet	
Sealed lead-acid battery	12 V, 5 Ah	12 V, 7 Ah
Automatic battery test	Once a week	
Average battery life	4 years typical, depending on temperature and amount of discharge cycles	
Operating temperature	0 to 35 °C	
Storage temperature	-25 °C to +55 °C	
Operating relative humidity	0 to 85 %	
Operating elevation	0 to 2000 m	
Safety standards	AS 62040-1, IEC 62040-1, CE certified	
Electromagnetic compatibility standards	IEC 62040-2, C1* AS 62040-2, C1	
Warranty	2 years	
Dimensions (mm)	260 x 87 x 250	
Weight (Kg)	5	6.1

(\*) **Warning:** Output cables should not exceed 10m length.

## 1. Operating conditions

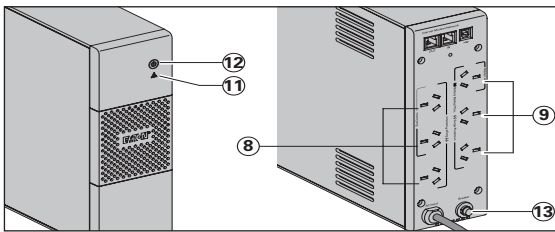
- This product is an Uninterruptible Power Supply (UPS) for computers and their peripherals, television sets, stereo systems and video recorders... It must not be used to supply other electrical equipment (lighting, heating, household appliances, etc.).

## 2. UPS connections

- Connect the UPS ① to the AC-power system via a wall outlet with an earth connector, using the input cord of your computer (see figure A).
- Plug critical equipment (computer, monitor, modem, etc.) into the outlets ⑨ providing battery backup power and surge protection (see figure B), taking care not to exceed the rated current indicated in amperes.
- Other devices (printer, scanner, fax, etc.) can be connect to the filtered outlets ⑧ that provide surge protection (see figure B). The filtered outlets are not backed up by battery power in the event of a power outage.
- Optional Internet modem / Network connection:**  
A modem or Ethernet data line can be protected against surges by connecting it via the UPS. Connect the existing device cable between the wall outlet and the UPS, and use a similar cable between the UPS and the device, as indicated in figure C (cable not supplied).
- Optional USB connection:**  
The UPS device can be connected to the computer using the USB cable ⑤ supplied.  
Eaton UPS Companion software is downloadable from [powerquality.eaton.com](http://powerquality.eaton.com) (see figure B). Register for the warranty on [powerquality.eaton.com](http://powerquality.eaton.com).

## 3. Operation

- Battery charge:** The UPS charges the battery as soon as it is connected to the AC outlet, whether button ⑫ is pressed or not. When used for the first time, the battery will only provide its maximum autonomy after it has been charged for 8 hours. It is recommended that the UPS be permanently connected to the AC power supply to ensure the best possible autonomy.
- Switching-on the UPS:** press button ⑫ for about 1 second.
- Filtered outlets ⑧ without battery backup:** Equipment connected to these outlets is supplied as soon as the input AC cord is plugged in. They are not affected by button ⑫.
- Battery backup outlets ⑨:** Equipment connected to these outlets is supplied as soon as button ⑫ turns green (see figure D). These outlets can be turned on even if the UPS is not connected to AC power (button ⑫ flashes).
- AC-power disturbance:** If AC power is disturbed or fails, the UPS continues to operate on battery power. Button ⑫ flashes green. In normal mode, the audio alarm beeps every ten seconds, then every three seconds when the end of battery backup time is near. In silent mode (see the section on settings), the audio alarm simply beeps once when the UPS transfers to battery power.
- If the power outage lasts longer than the battery backup time, the UPS shuts down and automatically restarts when power is restored. Following a complete discharge, a few hours are required to recharge the battery back to full backup time.
- To save battery power, it is possible to press button ⑫ to cut the supply of power to the devices connected to the battery backup outlets.
- Surge protection:** All outlets, whether backed up or simply filtered, include surge protection, whatever the position of button ⑫.
- Shutdown of the battery backup outlets ⑨:** Press button ⑫ for more than two seconds.



- ⑧: Filtered outlets.
- ⑨: Battery backup outlets.
- ⑪: LED ON indicate a UPS fault.
- ⑫: ON/OFF button for the battery backup outlets.
- ⑬: Protection (circuit breaker).

**Troubleshooting** (For further information, visit the [www.powerquality.eaton.com](http://www.powerquality.eaton.com) site or contact after-sales support.)

Problem	Diagnostic	Solution
1 • The battery backup outlets ⑨ are not supplied with power.	• Button ⑫ is not lighted on.	• Press button ⑫ and check that it turns green.
2 • The connected devices are not supplied when AC power fails.	• The devices are not connected to the battery backup outlets ⑨.	• Connect the devices to the battery backup outlets ⑨.
3 • AC power is available, but the UPS operates on battery power.	• Circuit breaker ⑬, located under the UPS, has been tripped by an overload on the UPS output.	• Disconnect excess equipment and reset the circuit breaker ⑬ by pressing the corresponding button.
4 • Green button ⑫ and red LED ⑪ are on and audio alarm beeps every 2 seconds.	• The UPS battery backup outlets ⑨ are overloaded.	• Disconnect excess equipment connected to the battery backup outlets ⑨.
5 • Red LED ⑪ is on and the audio alarm beeps every continuously.	• A fault has occurred on the UPS. The battery backup outlets ⑨ are no longer supplied.	• Call after-sales support.





[www.eaton.com](http://www.eaton.com)

614-06821-00

**EATON**

*Powering Business Worldwide*