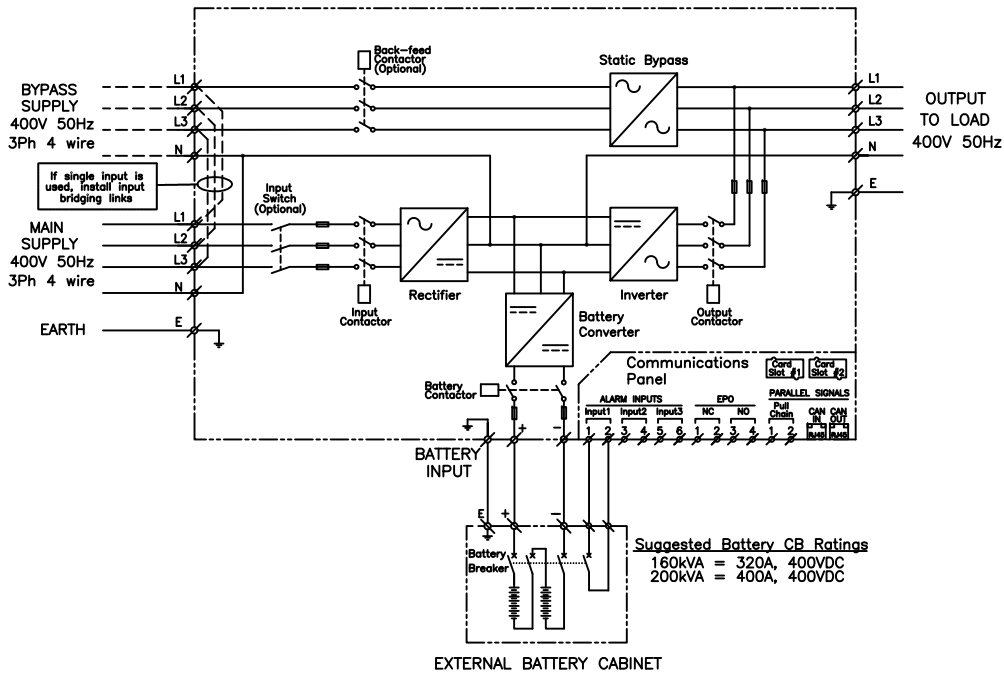
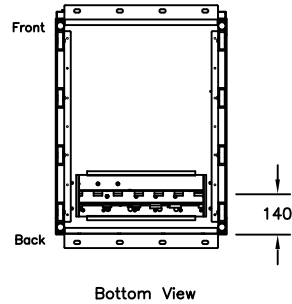
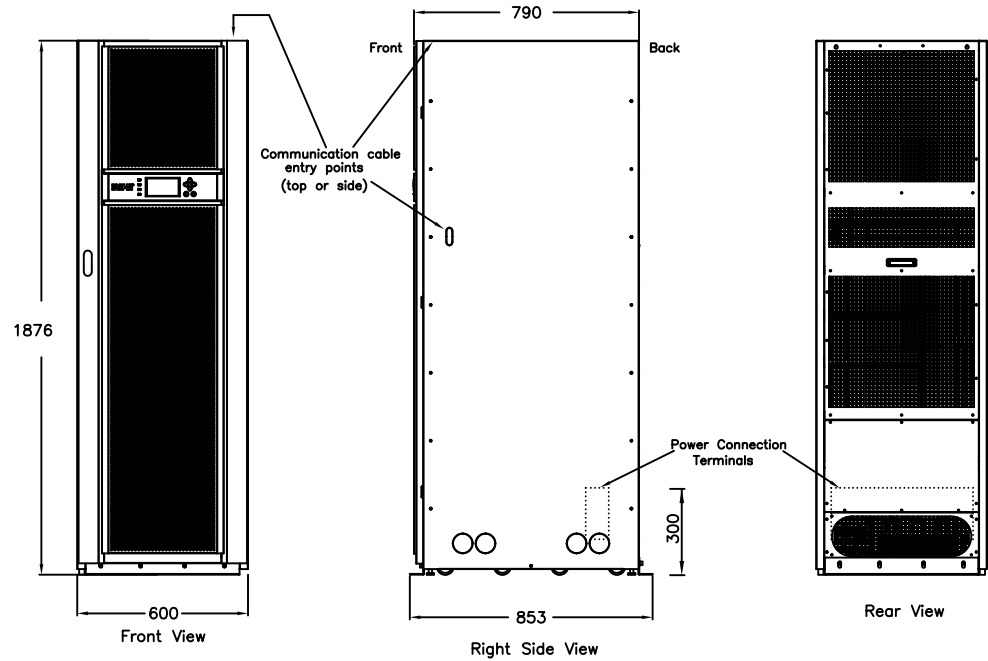


CONNECTION AND FUNCTIONAL DIAGRAM



EXTERNAL BATTERY CABINET

**Suggested Battery CB Ratings**  
 160kVA = 320A, 400VDC  
 200kVA = 400A, 400VDC



| Ambient | 160kVA | 200kVA |
|---------|--------|--------|
| 25°C    | ≥150mm | ≥150mm |
| 30°C    | ≥150mm | ≥300mm |
| 35°C    | ≥200mm | ≥400mm |
| 40°C    | ≥400mm | ≥500mm |

- Notes:**
- The system must be installed on a level floor and in a clean environment suitable for electronic equipment.
  - Ambient temperature range: 0–40°C; Recommended operating range: 20–25°C;  
Maximum relative humidity: 95% non-condensing.
  - Minimum Clearances for ventilation & service around the UPS cabinet are:  
Overhead of UPS: 500mm clearance required for ventilation  
Rear of UPS: Observe minimum clearance required for air flow (refer to table) and allow sufficient space for cable installation.  
Front : 900mm clearance in front of the UPS cabinet is required for User & Service Access  
Side : No clearance required
  - Bottom cable entry at front of cabinet or rear entry through removable gland plate
  - All wiring and cabling is to be in accordance with National and Local Electrical Standards
  - No provision for batteries within UPS cabinet
  - Cabinet shown with bolt-down brackets fitted. These can be removed, UPS is fitted with wheels and levelling screws

UPS Installation Specifications

| UPS Rating |     | Rated AC Input Voltage | Rated AC Output Voltage | Rectifier AC Input Current |         | Bypass Input current |         | Battery Current (40 batteries, 100% load at end of discharge) | Inverter AC Output Current | Input & Output cable max. size | Battery cable max. size | Earth cable max. size | Net Weight | Floor loading |                     | Air Flow Requirement |
|------------|-----|------------------------|-------------------------|----------------------------|---------|----------------------|---------|---------------------------------------------------------------|----------------------------|--------------------------------|-------------------------|-----------------------|------------|---------------|---------------------|----------------------|
|            |     |                        |                         | Nominal                    | Maximum | Nominal              | Maximum |                                                               |                            |                                |                         |                       |            | Point Loading | Distributed Loading |                      |
| kVA        | kW  | VOLT                   | VOLT                    | AMP                        | AMP     | AMP                  | AMP     | AMP                                                           | AMP                        | mm <sup>2</sup>                | mm <sup>2</sup>         | mm <sup>2</sup>       | kg         | Points/kg     | kg/m <sup>2</sup>   | Litres/s             |
| 160        | 144 | 400/230                | 400/230                 | 248                        | 262     | 231                  | 266     | 386                                                           | 230                        | 240                            | 240                     | 120                   | 457        | 8/57          | 952                 | 600                  |
| 200        | 180 | -15/+20%               |                         | 309                        | 327     | 289                  | 332     | 482                                                           | 288                        | 240                            | 240                     | 120                   | 457        | 8/57          | 952                 | 800                  |

\*Drawings and UPS Specifications are subject to change.

|                                                                |       |           |     |
|----------------------------------------------------------------|-------|-----------|-----|
| DRAWN                                                          | SCALE | FILENAME: | A4  |
| 01.05.13                                                       | NTS   |           |     |
| TITLE<br>SITE PLANNING GUIDE<br>93E 160-200kVA Standard Models |       |           |     |
| DRAWING NUMBER                                                 |       |           | REV |
| SITEPLAN_93E_160-200kVA                                        |       |           | 1   |

UNLESS OTHERWISE SPECIFIED ALL DIMENSIONS IN MILLIMETRES.