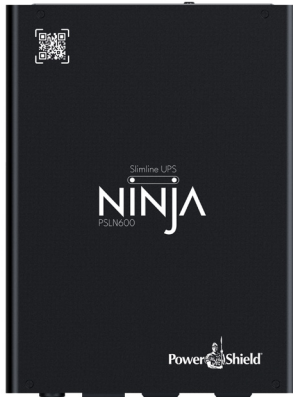


# PowerShield®



## USER MANUAL

### Ninja 600VA Slimline UPS (PSLN600)



#### 1 Inspection

Included in the box:

- UPS Unit
- User Manual
- Power Lead
- Serial Cable (1200mm)
- Wall Mounting Kit
- Din Rail Mounting Kit

Remove the UPS from its package and inspect it for damage that may have occurred during shipping. If any damage is discovered, re-pack the unit and return it to the place of purchase.

#### 2 Connecting to Utility Power

Connect the AC power cord to the utility power. The UPS will then start to charge the internal battery. For best results, charge the battery for 6 hours prior to initial use.

#### 3 Connecting your Equipment

Connect your equipment to the Battery Backup Outlets on the rear panel of the UPS.

**NOTE:** Make sure that the UPS is powered on to protect all important devices from data loss during power failure.

##### Optional

PowerShield 10IECAUS, to convert IEC to Australian three pin.

**CAUTION:** NEVER connect a laser printer or scanner to the battery backup outlets of the UPS. The equipment may draw too much power and overload the UPS.



## OPERATION AND FUNCTIONS

### Operation

#### 1 Turn ON the UPS

To turn on the UPS unit, push button and hold for 3 seconds.

The LED will light up.

#### 2 Turn OFF the UPS

To turn off the UPS unit, push the button again and hold for 2 seconds. The LED will switch off.

#### 3 Cold Start Function

Even when both the UPS is off and the utility power is off, it is still possible to cold start the UPS unit to power the loads.

### LED

LED	Alarm	UPS Status
On	Off	AC power is normal and UPS is operated normally
Flashing twice every 30 seconds	Two beeps sounding every 30 seconds	Power failure occurs and UPS is on battery mode
Flashing	Sounding every second	Low battery
Off	Off	UPS is off
Off	Continuously sounding	UPS fault

#### 4 Connect Com. Port and Install Software

Connect one end of the RS-232 cable (or via serial to usb adapter not included) to the PC and the other to the RS-232 D-type connector (DB9) at the rear of the UPS.

Download the latest version of UPS management software from [www.powershield.com.au/support-menu/download-area/](http://www.powershield.com.au/support-menu/download-area/). Follow on-screen instructions to complete the software installation.

#### Optional

To provide remote network connectivity, the following hardware is available:

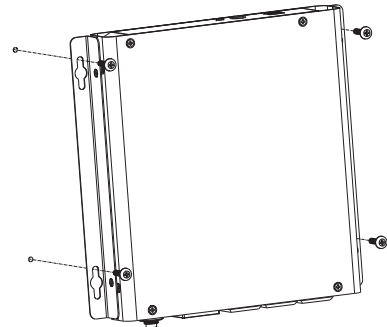
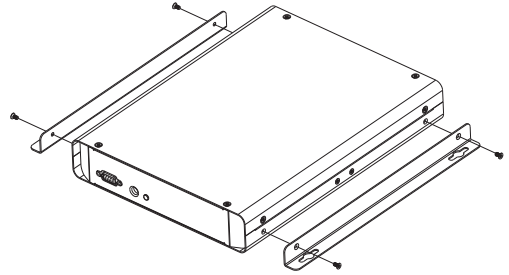
PSECB: External Comms Box and PSSNMPv4 network card for SNMP connectivity.

Please note the network card is installed in the PSECB external communications box, that will in turn need to be connected via the DB9 connection on the UPS and the external communications box via the supplied serial cable.

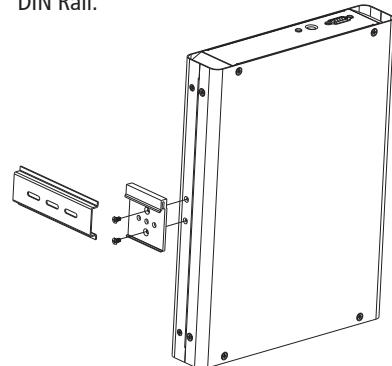
### MOUNTING UNIT

The UPS supports the following mounting methods:

- (1) Wall Mount: The UPS is bundled with two L-shaped mounting brackets. Install the mounting brackets to the two sides first with four screws provided. Then, fix assembled unit to the wall.

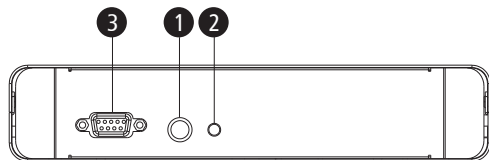


- (2) DIN Rail: Fix DIN Rail clip to the UPS with two screws. Clip the assembled UPS unit onto the DIN Rail.

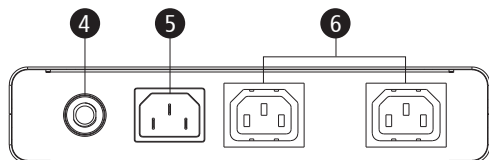


## PRODUCT OVERVIEW

### Front Panel



### Rear Panel



- 1 Push button power switch
- 2 UPS status indicator
- 3 DB9 RS-232 port
- 4 Circuit breaker
- 5 AC input
- 6 Battery backup outlets

## SPECIFICATIONS

<b>MODEL</b>	PSLN600
<b>CAPACITY</b>	600VA/360W
Run Time	12 min @ 50%, 6 min @ 100%
Input Voltage	220 - 240 VAC
Input Voltage Range	180 - 270 VAC
Output Voltage Regulation	± 10 % (Bat. mode)
Frequency	50Hz
Transfer Time	Typical 2-6 ms, Max 10 ms
Waveform	Simulated Sine Wave
Battery Type	LIFEPO4 18650
Battery Number	1
Battery Cell Configuration	4S4P
Charging Time	4-8 hours recover to 90% capacity
Dimension (DxWxH)	277 x 210 x 42 mm (UPS only)
Net Weight	2.5 kg
Humidity	0-90% RH @ 0-40°C (non-condensing)
Elevation	0-2000 m
Noise Level	Less than 40dB
Standards	LVD EN62040-1, EMC EN62040-2, UN38.3

\*Specifications are subject to change without notice.

## TROUBLESHOOTING

Problem	Possible Cause	Solutions
LED not lit	The UPS is not on.	Press the power switch again to turn on the UPS.
	Battery voltage is too low.	Charge the battery at least 6 hours.
	Battery fault.	Replace the battery.
The UPS always on battery mode.	Power cord loose.	Re-plug the power cord.
The UPS continuously beeps.	Please check the fault table for the details.	Please check the fault table for the details.
Backup time too short.	Battery voltage is too low.	Charge the battery at least 6 hours.
	Overload.	Remove some unnecessary loads. Before reconnecting equipment, please verify that the load matches the UPS capacity specified in the specs.
	Battery defect.	Replace the battery.

\* If any abnormal situations occur that are not listed above, please call for service immediately.

## SAFETY CAUTION

**SAVE THESE INSTRUCTIONS—This manual contains important instructions that should be followed during installation and maintenance of the UPS and batteries.**

**WARNING:** Changes or modifications not expressly approved by PowerShield will void the manufactures warranty.

This product has no user replaceable components. All work must be undertaken by a trained professional.

- This UPS utilizes voltage that may be hazardous. Do not attempt to open the UPS. The UPS contains no user replaceable parts. Only factory trained service personnel may perform repairs. If the unit is opened by a non factory trained person, or not under the instruction of PowerShield, the warranty may be voided.
- The UPS is designed to be installed and operated without the need for specialised training.
- Connection to any other type of receptacle other than a two-pole, three-wire grounded receptacle may result in shock hazard as well as violate local electrical codes.
- The general-purpose outlet that the UPS is connected to shall be rated for at least 10A.
- The earth leakage of the connected load should not exceed 3.5mA.
- In the event of an emergency, push the button off and disconnect the power cord from the AC power supply to properly disable the UPS.
- Do not attach non-computer-related items, such as medical equipment, life-support equipment, microwave ovens, or vacuum cleaners to UPS. Connecting such load may void manufactures warranty.
- Do not plug the UPS input into its own output.
- This unit is intended for installation in a controlled environment (temperature controlled, indoor area free of conductive contaminants). Avoid installing the UPS in locations where there is standing or running water, or excessive humidity.
- Do not allow any liquids or any foreign object to enter the UPS.
- Do not attach a power strip or surge suppressor to the UPS.

- Do not cover the UPS' cooling vents and avoid exposing the unit to direct sunlight or installing the unit near heat emitting appliances such as space heaters or furnaces. Failure to follow this advice may result in the UPS overheating and premature failure of the UPS.

**WARNING:** Servicing of batteries should be performed or supervised by personnel knowledgeable of batteries and the required precautions. Keep unauthorized personnel away from batteries.

A battery can present a risk of electrical shock and high short circuit current.

The following precautions should be observed when working on batteries:

1. Remove watches, rings, or other metal objects from the hands.
2. Use tools with insulated handles.
3. Wear rubber gloves and boots.
4. Do not lay tools or metal parts on top of batteries. Do not place battery close to fire or heat, as the battery may explode.
5. Disconnect charging source prior to connecting or disconnecting battery terminals.
6. Remove battery grounds during installation and maintenance to reduce likelihood of shock.
7. When changing batteries, install the same PowerShield approved battery pack.
8. Do not open or mutilate the battery or batteries. Released electrolyte is harmful to the skin and eyes and may be toxic.
9. Do not expose batteries to flame or dispose of batteries in a fire as they may explode.
10. Dispose of batteries in accordance with local requirements.

**WARNING:** hazardous through electric shock.

Even when this unit is disconnected from the mains, hazardous voltage may still be accessible through the supply from the internal battery. The battery supply should therefore be disconnected from the positive and negative terminals of the battery when maintenance or service work inside the UPS is necessary.

**WARNING:** This is a category C2 UPS product. In a residential environment, this product may cause radio interference, in which case the user may be required to take additional measures.

A battery can present a risk of electrical shock and high short circuit current. The following precautions should be observed when working on batteries.